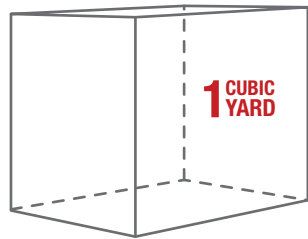
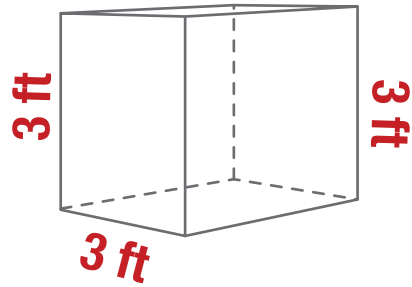


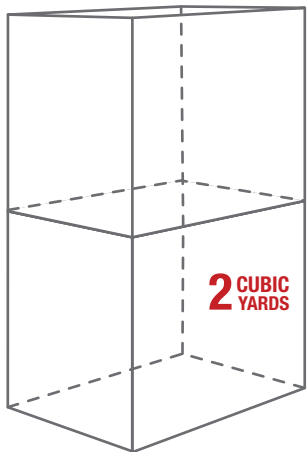
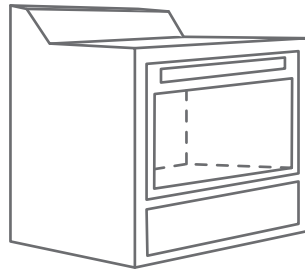
Relative Size of 1 Cubic Yard

1 CUBIC YARD

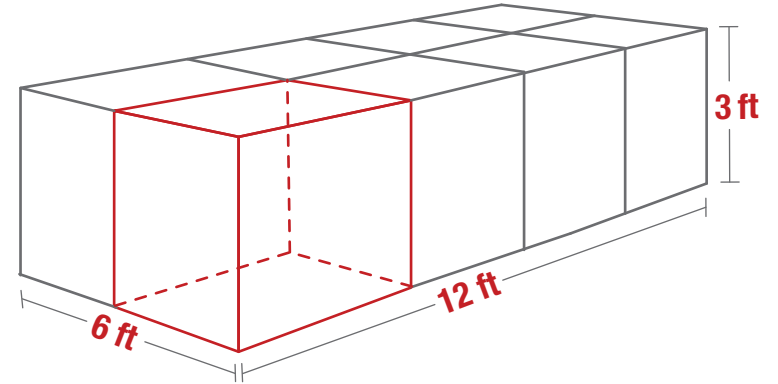
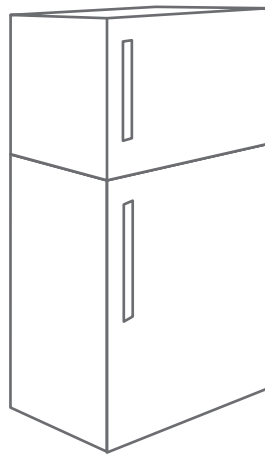
=



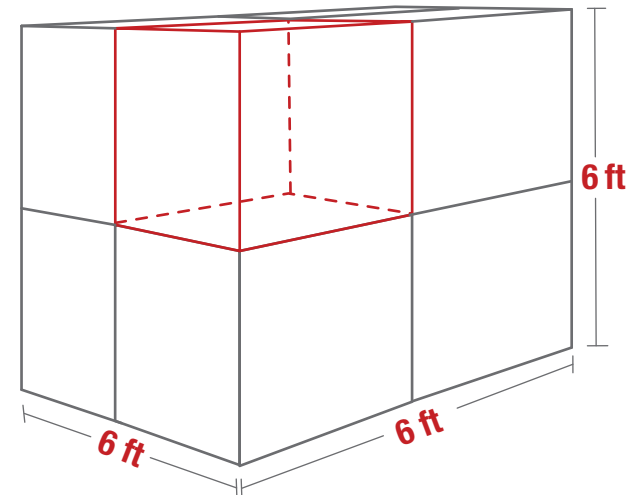
≈



≈



or



8 Cubic Yards